



# Newsletter

<http://www.midwestwoodworkers.org>  
March 2009

---

## **President's Note**

It feels like spring is here already with this great week of weather. At our meeting on March 23<sup>rd</sup>, Tom Stauder will give a program on making a Windsor chair. The presentation will have details from the class Tom attended on the subject.

Stephen Massman  
[massmans@gmail.com](mailto:massmans@gmail.com)  
<http://www.massmans.org/woodturning.html>  
<http://massmans.etsy.com>

## **February MWA Meetings**

Board meeting minutes

Meeting held February 23, 2009 at Boone County Mill Works.

We mainly discussed future programs and toy project.

Minutes

Meeting held February 23, 2009 at Boone County Mill Works at 7:00 PM

Steve Massman president opened the meeting with 26 members present

Minutes were read

Steve gave treasurers report saying we have \$2648.46 in checking and \$1036.92 in C.D.

Olin handed out new member packets

Ernest discussed toy project. He said that we have not heard anything yet about toy testing and we would continue as in past until we hear otherwise. He also said there would be a toy workshop February 26 at P. E. T. building

He also said there would be woodturning workshop March 5<sup>th</sup> at his house

He also said we had 5 members judging the Cub Scout Pinewood Derby on February 21, 2009

Olin Hatfield announced we have 49 paid members

Band saw blades were discussed

Olin Hatfield with assistance from Jim Zajicke gave a program on building a table from one board. This was from a workshop by Kelly Meir that they attended in Kansas City Show and Tell

1. Darren Laupp showed a flower intarsia he made on a scroll saw

2. Steve Massman showed a bowl he turned from hackberry

The door prize a chisel was won by Jeff Ferguson

The raffle a band saw blade donated by Bob Youngquist was won by Rick Anderson

The raffle and magazine sales brought in \$58.50

### **From WOOD Magazine**

Announcement from WOOD magazine for you and your club members:

For the past several months, we've been working on a big project to bring you first-class woodworking videos that you can download to your computer or iPod. I'm proud to tell you WOOD Magazine's "Better Woodworking <<http://iamplify.com/wood-magazine/?cid=WM0002>> " Video Center has just launched. You won't read about it in the magazine for a few more weeks, but we wanted to give you the first peek at this site. I think you'll be impressed.

At "Better Woodworking <<http://iamplify.com/wood-magazine/?cid=WM0002>>," you can download skill-building woodworking videos, typically between an hour and two hours long, by master woodworkers like Marc Adams, Paul Schurch, Gary Rogowski, The Wood Whisperer, and many more. Learn to turn a bowl, or make a guitar, or how to tune-up your jointer or bandsaw, or use a vacuum veneer press. Take a spin through the videos to see what you can learn from nearly 50 videos on the site right now, with the vast majority of them priced under \$20. You can even try before you buy—each video has a free preview. Link: <http://iamplify.com/wood-magazine/?cid=WM0002>

Marlen Kemmet

WOOD magazine/WOOD Online Managing Editor

Marlen.kemmet@meredith.com

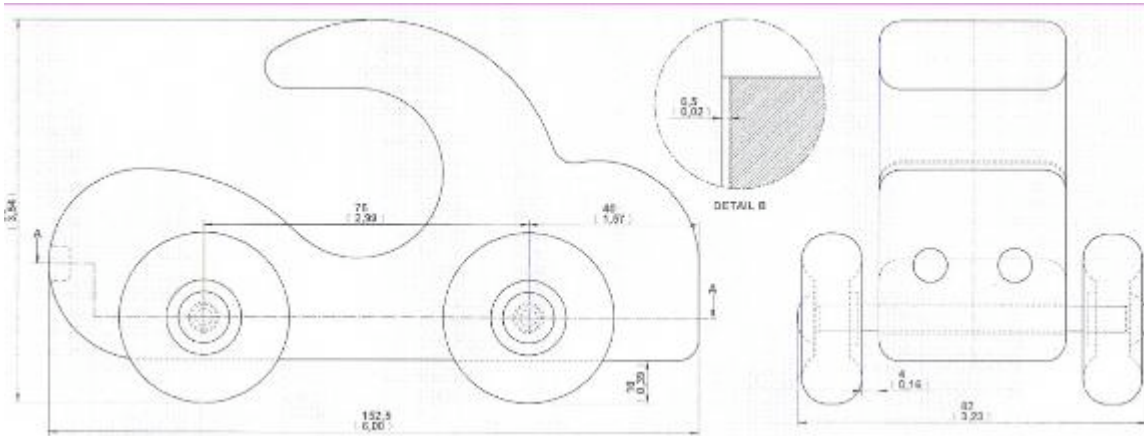
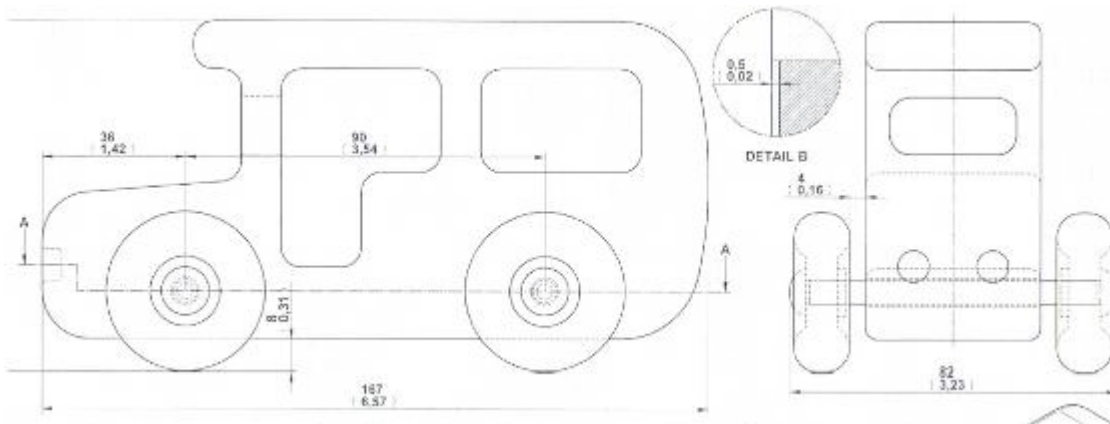
### **Tentative Schedule of Future Events--2009 Midwest Woodworkers' Association**

<b>Date</b>	<b>Day</b>	<b>Time</b>	<b>Event</b>
March 23, 2009	Monday	7:00 PM	MWA monthly meeting at Boone County Millwork
April 27, 2009	Monday	7:00 PM	MWA monthly meeting at Boone County Millwork
May 23, 2009	Saturday	Noon	Annual Club Picnic at Happy Hollow Shelter, Stephens

			Park
June 22, 2009	Monday	7:00 PM	MWA monthly meeting at Boone County Millwork
July 27, 2009	Monday	7:00 PM	MWA monthly meeting at Boone County Millwork
August 24, 2009	Monday	7:00 PM	MWA monthly meeting at Boone County Millwork
September 28, 2009	Monday	7:00 PM	MWA monthly meeting at Boone County Millwork
October 26, 2009	Monday	7:00 PM	MWA monthly meeting at Boone County Millwork
November 27, 2009	Monday	7:00 PM	MWA monthly meeting at Boone County Millwork
December ?, 2009	TBA	TBA	Annual Club Holiday Dinner



Olin Hatfield and Jim Zajicke demonstrate how to make a table from a single board.



Midwest Woodworkers' Association  
 c/o Bob Youngquist  
 4435 Highway PP  
 Columbia, MO 65202  
[youngquistr@missouri.edu](mailto:youngquistr@missouri.edu)

